



25.78Gb/s SFP28 Transceiver

APSP8SRB53CDL01

■ Product Features

- ✓ Duplex LC connector
- ✓ Up to 25.78 Gb/s bi-directional data links
- ✓ Hot-pluggable SFP28 footprint
- ✓ 850nm Oxide VCSEL laser transmitter
- ✓ RoHS compliant and Lead Free
- ✓ 100m over M5F MMF (50/125 um OM4)
- ✓ 70m over M5E MMF (50/125um OM3)
- ✓ Metal enclosure for lower EMI
- ✓ Power dissipation <1.2W (0~70°C)
- ✓ Commercial operating temperature optional

■ Applications

- ✓ 25.78 Gb/s single lane
- ✓ 25GBE

■ General

ATOP's APSP8SRB53CDL01 SFP+ transceivers are designed for use in 25Gb/s data rate over multimode fiber. They are compliant to IEEE802.3by, SFF-8472 Rev12.2 and SFF-8402, and compatible with SFF-8432 a and applicable portions of SFF-8431 Rev.4.1 c . The transceiver is RoHS compliant and per Directive 2011/65/EU.

■ Product Selection

Part Number	Operating Case temperature	DDMI
APSP8SRB53CDL01	Commercial(0~70°C)	Yes

■ Regulatory Compliance

- ESD to the Electrical PINs: compatible with MIL-STD-883 Method 3015
- ESD to the Duplex LC Receptacle: compatible with IEC 61000-4-2
- Immunity compatible with IEC 61000-4-3
- EMI compatible with FCC Part 15 Class B EN55022 Class B (CISPR 22B) VCCI Class B



- Laser Eye Safety compatible with FDA 21CFR 1040.10 and 1040.11 EN60950, EN (IEC) 60825-1,2
- RoHS compliant with RoHS 2 (2011/65/EU)

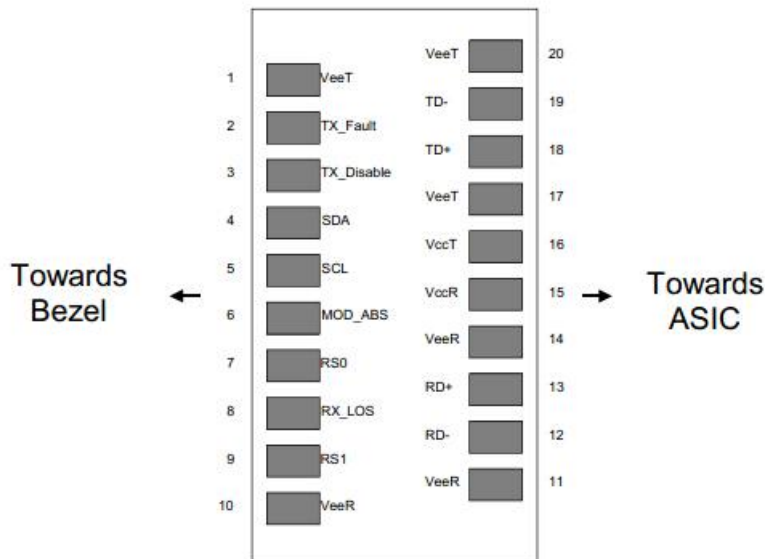
Pin Descriptions

Pin	Symbol	Name/Description	Ref.
1	VeeT	Transmitter Ground (Common with Receiver Ground)	1
2	TX Fault	Transmitter Fault. LVTTTL-O	2
3	TX Disable	Transmitter Disable. Laser output disabled on high or open. LVTTTL-I	3
4	SDA	2-Wire Serial Interface Data Line (Same as MOD-DEF2 in INF-8074i). LVTTTL-I/O	2
5	SCL	2-Wire Serial Interface Data Line (Same as MOD-DEF2 in INF-8074i). LVTTTL-I	2
6	Mod_ABS	Module Absent, Connect to VeeT or VeeR in Module.	2
7	RS0	Rate Select 0, optionally controls SFP+ module receiver LVTTTL-I	4
8	LOS	Loss of Signal indication. Logic 0 indicates normal operation. LVTTTL-O	5
9	RS1	Rate Select 1, optionally controls SFP+ module transmitter. LVTTTL-I	4
10	VeeR	Receiver Ground (Common with Transmitter Ground)	1
11	VeeR	Receiver Ground (Common with Transmitter Ground)	1
12	RD-	Receiver Inverted DATA out. AC Coupled. CML-O	
13	RD+	Receiver Non-inverted DATA out. AC Coupled. CML-O	
14	VeeR	Receiver Ground (Common with Transmitter Ground)	1
15	VccR	Receiver Power Supply	6
16	VccT	Transmitter Power Supply	6
17	VeeT	Transmitter Ground (Common with Receiver Ground)	1
18	TD+	Transmitter Non-Inverted DATA in. AC Coupled. CML- I	
19	TD-	Transmitter Inverted DATA in. AC Coupled. CML- I	

20	VeeT	Transmitter Ground (Common with Receiver Ground)	1
----	------	--	---

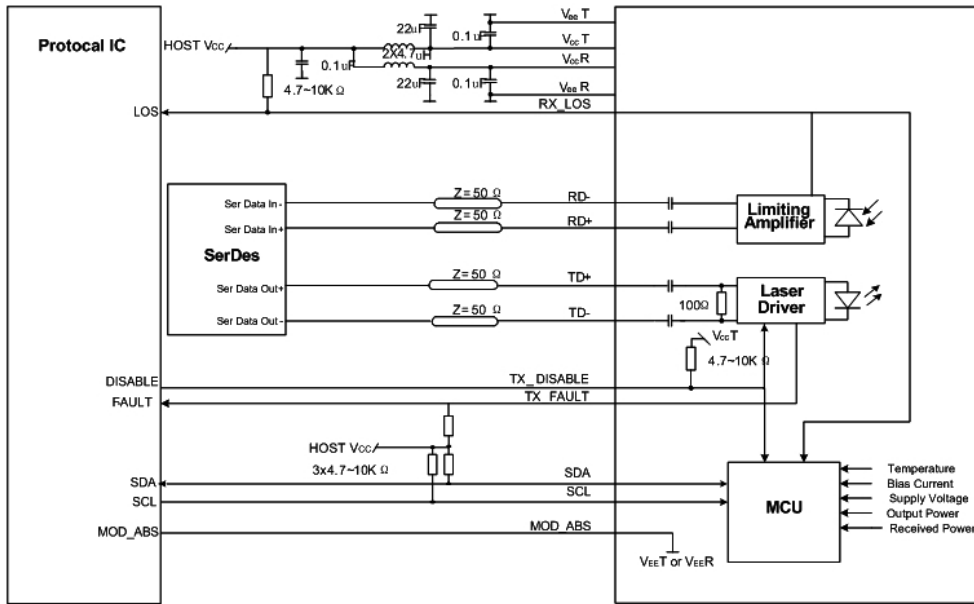
Notes:

1. Circuit ground is internally isolated from chassis ground.
2. TX Fault is an open collector/drain output .Which should be pulled up with a 4.7K – 10K Ohms resistor on the host board if intended for use. Pull up voltage should be between 2.0V to Vcc+0.3V.A high output indicates a transmitter fault caused by either the tx bias current or the tx output power exceeding the preset alarm thresholds. A low output indicates normal operation .In the low state, the output is pulled to <0.8V.
3. Laser output disabled on TX Disable >2.0V or open, enabled on TX Disable<0.8V.
4. Internally pulled down per SFF-8431 Rev4.1.
5. LOS is open collector output. Should be pulled up with 4.7k – 10kohms on host board to a voltage between 2.0V and 3.6V. Logic 0 indicates normal operation; logic 1 indicates loss of signal.
6. Internally connected



Pin-out of Connector Block on Host Board

■ **Recommend Circuit Schematic**



Absolute Maximum Ratings

Parameter	Symbol	Min	Typ	Max	Unit	Ref.
Maximum Supply Voltage	Vcc	-0.5		+4.0	V	
Storage Temperature	TS	-40		+85	°C	
Operating Humidity	RH	0		85	%	

Recommended Operating Conditions

Parameter	Symbol	Min	Typ	Max	Unit	Ref.
Power Supply Voltage	Vcc	3.13	3.30	3.47	V	
Power Supply Current	Icc			300	mA	Commercial
Case Operating Temperature	Tc	0		+70	°C	Commercial
Data Rate(Gigabit Ethernet)	BR		25.78		Gbps	
Fiber Length on 50/125 m high-bandwidth (OM3/M5E) MMF	Lmax			70	m	
Fiber Length on 50/125 m high-bandwidth (OM4/M5F) MMF	Lmax			100	m	

Electrical Characteristics (TOP=25°C, Vcc=3.3Volts)

Parameter	Symbol	Min	Typ	Max	Unit	Ref.
-----------	--------	-----	-----	-----	------	------



APSP8SRB53CDL01

Transmitter						
Input differential impedance	Rin	80	100	120	Ω	1
Differential data input swing	Vin, pp	90		800	mV	
TX Disable-High		Vcc – 0.8		Vcc	V	
TX Disable-Low		Vee		Vee+ 0.8	V	
TX Fault-High		Vcc-0.8		Vcc	V	
TX Fault-Low		Vee		Vee+0.8	V	
Receiver						
Single ended data output swing	Vout, pp	185		425	mV	2
LOS-High		Vcc – 0.8		Vcc	V	
LOS-Low		Vee		Vee+0.8	V	

Notes:

1. AC coupled.
2. Into 100 ohm differential termination.

■ Optical Characteristics (TOP=25°C, Vcc=3.3 Volts)

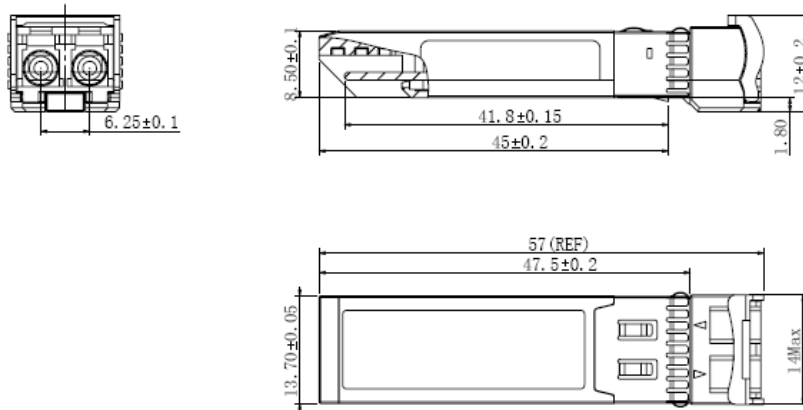
Parameter	Symbol	Min	Typ	Max	Unit	Ref.
Transmitter						
Output Opt. Power	PO	-8.4		+2.4	dBm	
Optical Wavelength	λ	840	850	860	nm	
Spectral Width (RMS)				0.6	nm	
Optical Modulation Amplitude	OMA	-6.4		3	dBm	
Optical Extinction Ratio	ER	2			dB	
Receiver						
RX Sensitivity @25.78Gb/s	SENS1			-5.2	dBm	1
Receiver Overload		3			dBm	
Optical Center Wavelength	λC	1260		1355	nm	
LOS De-Assert	LOSD			-13	dBm	
LOS Assert	LOSA	-30			dBm	
LOS Hysteresis		0.5		5	dB	

Notes:

1.Measured with data rate at 25.78Gb/s, BER less than1E-12 with PRBS 231-1..

■ Mechanical Specifications

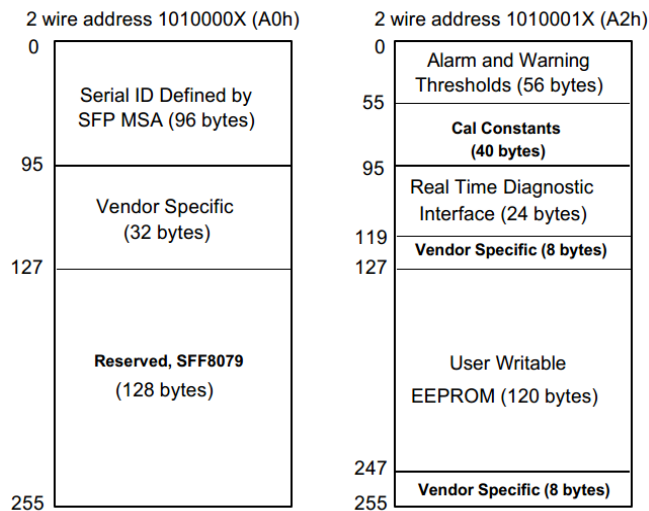
ATOP’s Small Form Factor Pluggable (SFP28) transceivers are compatible with the dimensions defined by the SFP Multi-Sourcing Agreement (MSA) , dimensions are in mm.



APSP8SRB53CDL01

■ EEPROM Information

EEPROM memory map specific data field description is as below:



■ Digital Diagnostic Monitoring Interface

Five transceiver parameter values are monitored. The following table defines the monitored parameter’s accuracy.

Parameter	Range	Accuracy	Calibration
-----------	-------	----------	-------------



Temperature	0 to +70°C (C)	±3°C	Internal
Voltage	2.97 to 3.63V	±3%	Internal
Bias Current	0 to 100mA	±10%	Internal
TX Power	-9 to +2.4dBm	±3dB	Internal
RX Power	-10.3 to 3dBm	±3dB	Internal

■ Revision History

Revision	Initiated	Reviewed	Approved	DCN	Release Date
Version1.0	Chuck.chen	sunbin	dingzheng	New Released.	Mar 8, 2017

■ For More Information

ATOP Corporation

Tel: +86-755-86674946

Fax: +86-755-86296723

Email: sales@atoptechnology.com

Web: www.atoptechnology.com