

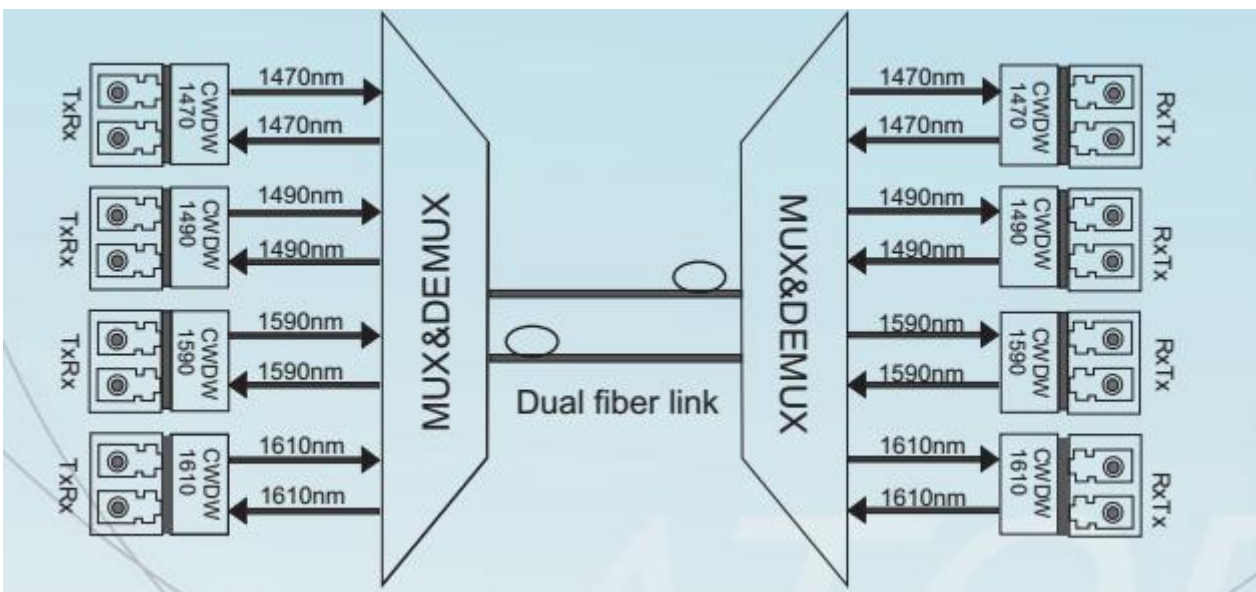
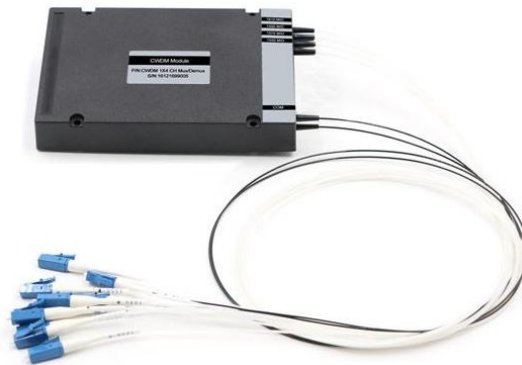
## CWDM MUX or DEMUX Simplex

### Product Description

ATOP's Coarse Wave Division Multiplexing (CWDM) modules combine or split up to 18 wavelengths into a single fiber. CWDM technology uses ITU standard 20nm spacing between the wavelengths, from 1270nm to 1610nm. Our CWDM module has 4 to 18 channels. The central wavelength of each channel is specified to one of the ITU-T grid wavelengths. The CWDM module features wide channel bandwidth (13nm). Its isolation is greater than 30dB for adjacent channels, and greater than 40dB for non-adjacent channels. The module also has high thermal stability to ensure reliable performance under different environment

### Product Features

- Low Insertion Loss
- High Isolation
- Low PDL
- Compact Design
- Good channel-to-channel uniformity
- Wide Operating Wavelength: From 1260nm to 1620nm
- Wide Operating Temperature: From -40 to 85°C



4 channels Simplex BIDI Transmission CWDM Mux & DEMUX CWDM Duplex Mux & Demux



## Application

CWDM System	CATV Links
PON Networks	

## Key Features

Low insertion loss	Compact Design
High isolation	Good channel-to-channel uniformity
Low PDL	Wide operating Wavelength: From 1260 nm to 1620 nm
Wide Operating Temperature	From -40 to 85°C

## Compliance

Telcordia GR-1209-CORE-2001	RoHS
Telcordia GR-1221-CORE-1999	

## Duplex CWDM Mux & Demux

Parameters	Unit	CWDM Module				
Center Wavelength	nm	ITU, ITU+1				
Wavelength Range	nm	1260 ~ 1620				
Channel center wavelength	nm	1270 / 1290 / ... / 1610 or 1271 / 1291 / ... / 1611				
Channel Spacing	nm	20				
Channel Passband	nm	$\lambda_c \pm 7.5$				
Channel No.	$\lambda$	2	4	8	16	18
Insertion Loss	dB	$\leq 0.8$	$\leq 1.5$	$\leq 2.5$	$\leq 5.2$	$\leq 6.4$
Adjacent Channel	dB	$\geq 30$				
Non-adjacent Channel	dB	$\geq 40$				
Wavelength thermal	nm/°C	$\leq 0.003$				
Insertion loss thermal	dB/°C	$\leq 0.005$			$\leq 0.007$	$\leq 0.008$
PDL	dB	$\leq 0.1$	$\leq 0.15$	$\leq 0.15$	$\leq 0.20$	$\leq 0.25$
Polarization Mode Dispersion	ps	$\leq 0.1$			$\leq 0.15$	
Directivity	dB	$\geq 50$				
Return loss	dB	$\geq 45$				
Optical power	mW	$\leq 500$				
Operating temperature	°C	-10 ~ +70				



Connects fiber to your home

**ATOP Corporation**

AP-CWDM-4MDS-ABS

Storage temperature	°C	-40 ~ +85
Relative humidity	%	5 ~ 95
Dimension		ABS Box or LGX Box or 1U(2U) Rack-mount
LGX Package		1U, 2U
19" Rack Mount		1U
<p>Note:</p> <ol style="list-style-type: none"> <li>1, Customization is available.</li> <li>2, We can make low insertion loss solution as well.</li> <li>3, For more information, please feel free to contact at <a href="mailto:sales@atopgofiber.com">sales@atopgofiber.com</a>.</li> <li>4, Specified without connector, and add an additional 0.2dB loss per connector.</li> </ol>		

## For More Information

ATOP Technology

Web: [www.atoptechnology.com](http://www.atoptechnology.com)

Email: [sales@atoptechnology.com](mailto:sales@atoptechnology.com)

Tel: 86-755-86674946