

## Features :

- ✓ LC Receptacle
- ✓ DFB uncooled Laser Diode 1.25G 1490nm
- ✓ High sensitive PIN-TIA 1.25G 1310nm

## Descriptions :

This single-fiber optical subassembly is integrated with one 1.25Gb/s 1490nm DFB LD and one 1.25Gb/s 1310nm PIN-TIA together with LC Receptacle, No Isolator.

## — Performance Specifications :

### 1. Absolute Maximum Ratings ( 25°C )

Items	Symbol	Unit	Min	Typical	Max	Condition
<b>Absolute Maximum Ratings</b>						
1	Operating Case Temperature (case)	TC	°C	-5	75	
2	Storage Temperature	TS	°C	-40	85	
3	Storage and Operating Humidity		%		85	
4	Lead Soldering Temperature		°C		260	10S
5	LD Forward Current		mA		100	
6	LD Reverse Voltage		V		2	

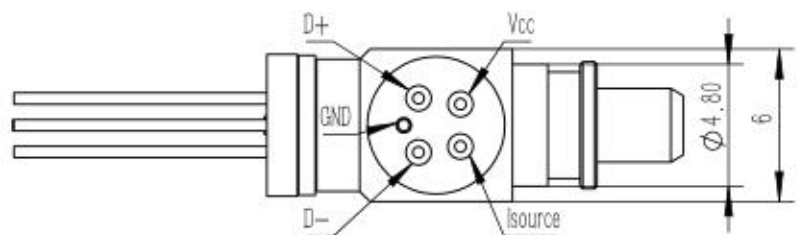
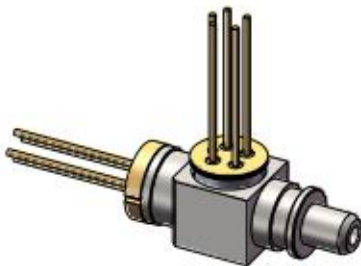
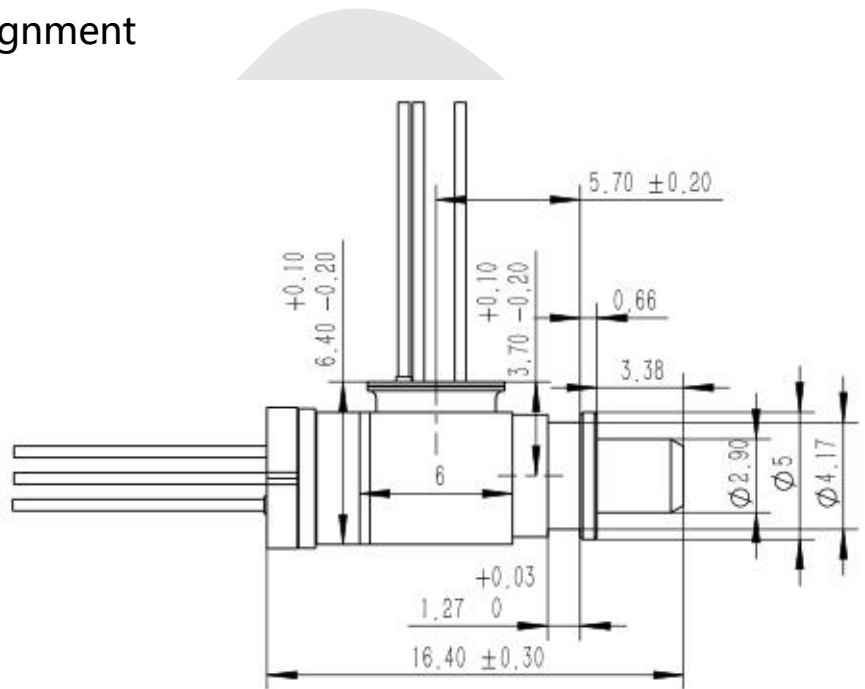
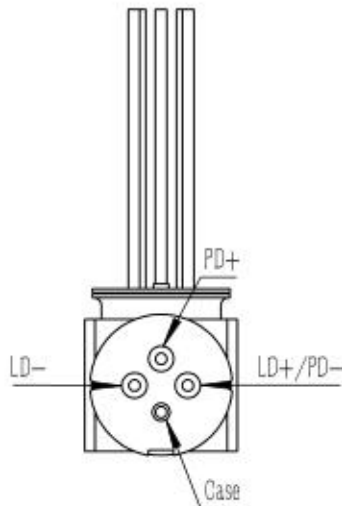
## 2. Transmitter Optical And Electrical Characteristics ( 25°C )

Items	Symbol	Unit	Min	Typical	Max	Condition
<b>Transmitter</b>						
1	Data Rate		Mbit/s	1244		
2	Forward Voltage	V <sub>f</sub>	V	1.2	1.5	
3	Optical Output Power (I <sub>th</sub> + 20mA)	PO	mW	0.25mW		0.65mW 25°C, mW
4	Threshold Current RT	I <sub>th</sub>	mA		15	25°C
5	Monitor Current	I <sub>pd</sub>	mA	0.1		@I <sub>th</sub> +20mA
6	Tracking Error	TE	dB	-1.5	1.5	-5°C, 75°C
7	Monitor Dark Current	I <sub>dk</sub>	nA		100	@I <sub>th</sub> =20mA
8	Center Wavelength	λ <sub>c</sub>	nm	1470	1490	1510
9	Optical Return loss	RL	dB			-12
10	Rise/Fall Time	Tr/Tf	ps			200

## 3. Receiver Optical and Electrical Characteristics ( 25°C )

Items	Symbol	Unit	Min	Typical	Max	Condition
<b>Digital Receiver</b>						
1	Bit Rate		Mbit/s	1244		
2	Operating Wavelength	λ <sub>C</sub>	nm	1290	1310	1330
3	Supply Voltage	VCC	V	3.0	3.3	3.6
4	Supply Current (no load)	ICC	mA	24		35
5	Sensitivity RT	PSEN	dBm			-24 BER=10 <sup>-10</sup> @1.25G, ER=10dB, PRBS2 <sup>7</sup> -1
6	Damage threshold	P <sub>in</sub> damage	dBm	5		
7	Receiver Overload	OL	dBm	-3		
8	Optical Return Loss @ 1490nm	ORL	dB			-20

#### 4.Dimension and Pin assignment



More information :

Tel: +86-755-86674946

FAX: +86-755-86296723

Email: sales@atoptechnology.com

Web: www.atoptechnology.com